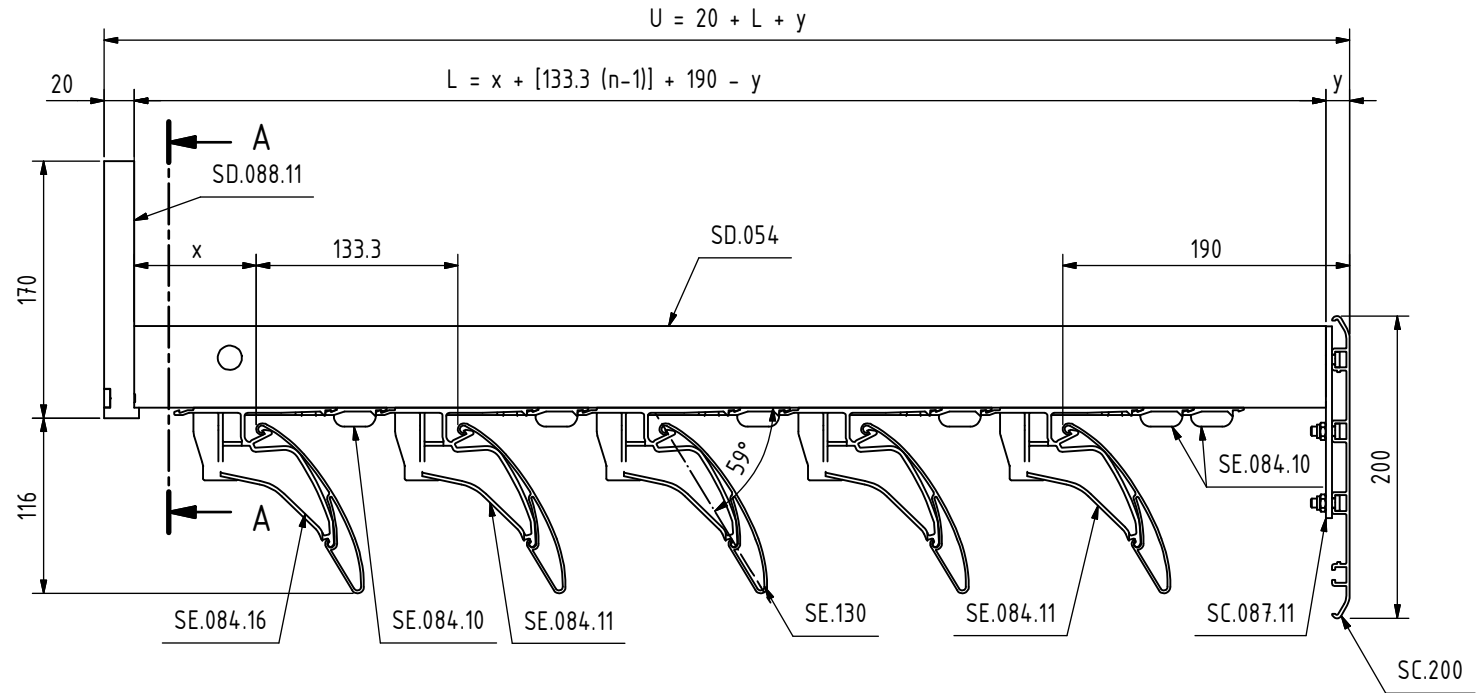
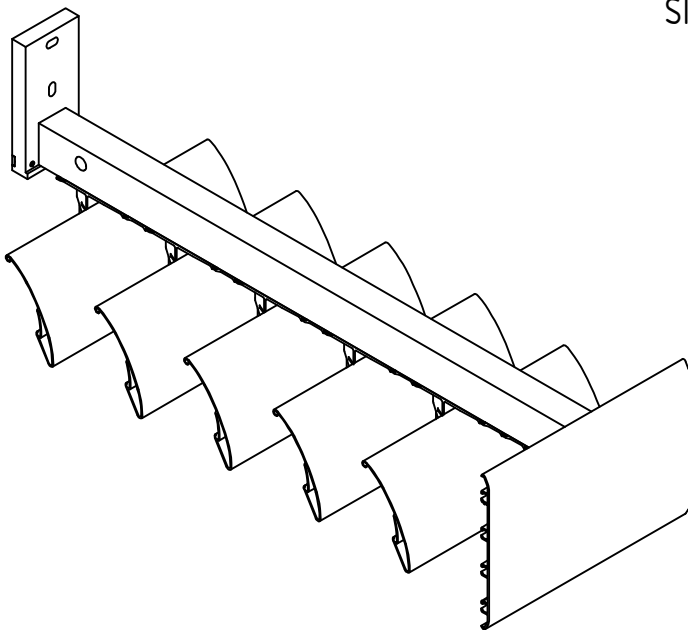


A-A



SIDE VIEW



KEY REFERENCE	
U:	Projection [mm]
L:	Length of mullion [mm]
n:	Number of blades
x:	≥ 80 mm
y:	16 mm ≤ y ≤ 36 mm

Maximal dimensions to be discussed with R&D Dept. of NV Renson Projects.



NV RENSON Projects  
 Maalbeekstraat 6  
 8790 Waregem  
 Belgium

Tel.: +32 (0)56 62 71 07  
 Fax: +32 (0)56 62 71 47  
 www.renson.eu

<u>HORIZONTAL FIXED</u>	
TYPE: SUNCLIPS	SUBTYPE: POSITIONED BELOW
DESCRIPTION: SE.130+SD.088.11+SD.054+SC.200	

PRODUCT SHEET	SHEET N°	ISSUE	Scale: 1/5
	HV-S-1.0301	V.01	Orig. format: A4

All rights reserved to NV RENSON PROJECTS. This drawing shall not be copied nor showed to third parties without written permission of NV RENSON PROJECTS.

R:\CAD\91\_ProductFiches\HV\HVHV\_S\_1\_0301\_EN.idw