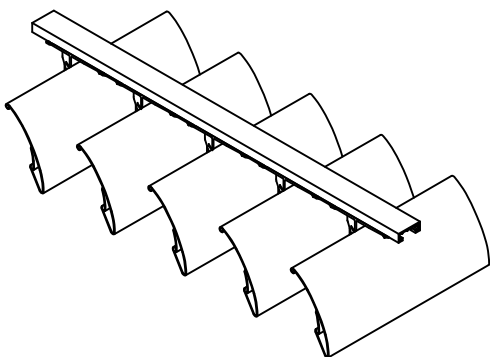



SIDE VIEW



KEY REFERENCE	
U:	Projection [mm]
L:	Length of mullion [mm]
n:	Number of blades
x:	≥ 80 mm

Maximal dimensions to be discussed with R&D Dept. of NV Renson Projects.

	NV RENSON Projects Maalbeekstraat 6 8790 Waregem Belgium		Tel.: +32 (0)56 62 71 07 Fax: +32 (0)56 62 71 47 www.renson.eu	
	HORIZONTAL FIXED TYPE: SUNCLIPS SUBTYPE: POSITIONED BELOW DESCRIPTION: SE.130+SD.014			
PRODUCT SHEET	SHEET N°	ISSUE	Scale:	
	HV-S-1.0310	V.01	1/5	
			Orig. format:	
			A4	

All rights reserved to NV RENSON PROJECTS. This drawing shall not be copied nor showed to third parties without written permission of NV RENSON PROJECTS.

R:\CAD\91_ProductFiches\VMVHV\HV_S_1_0310.dwg