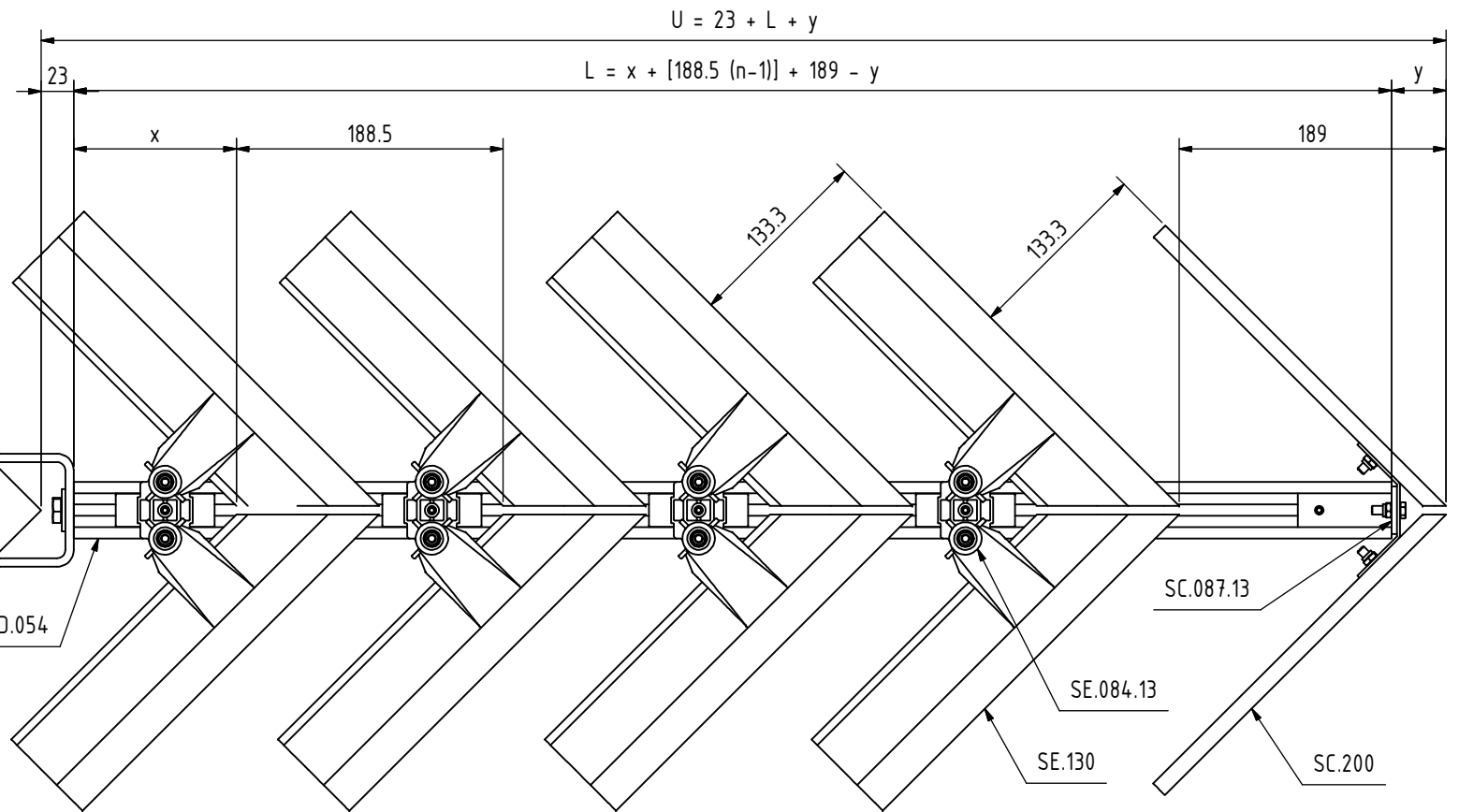
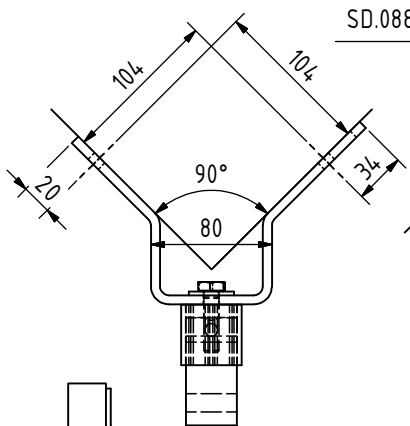
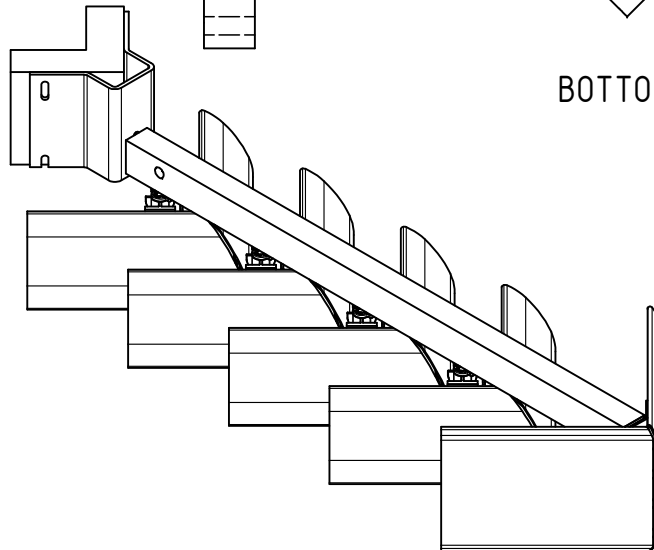


DETAIL BRACKET
SD.088.23



BOTTOM VIEW



KEY REFERENCE

- U: Projection [mm]
- L: Length of mullion [mm]
- n: Number of blades
- x: ≥ 115 mm
- y: $39 \text{ mm} \leq y \leq 69 \text{ mm}$

Maximal dimensions to be discussed with R&D Dept. of NV Renson Projects.



NV RENSON Projects
Maalbeekstraat 6
8790 Waregem
Belgium
Tel.: +32 (0)56 62 71 07
Fax: +32 (0)56 62 71 47
www.renson.eu

HORIZONTAL FIXED

TYPE: SUNCLIPS

SUBTYPE: POSITIONED BELOW

DESCRIPTION: SE.130+SD.088.23+SD.054+SC.200

PRODUCT SHEET

SHEET N°

HV-S-1.0312

ISSUE

V.02

Scale:
1/5
Orig. format:
A4