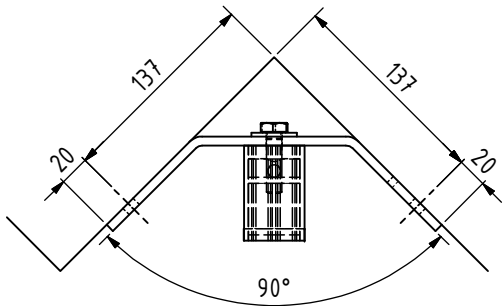
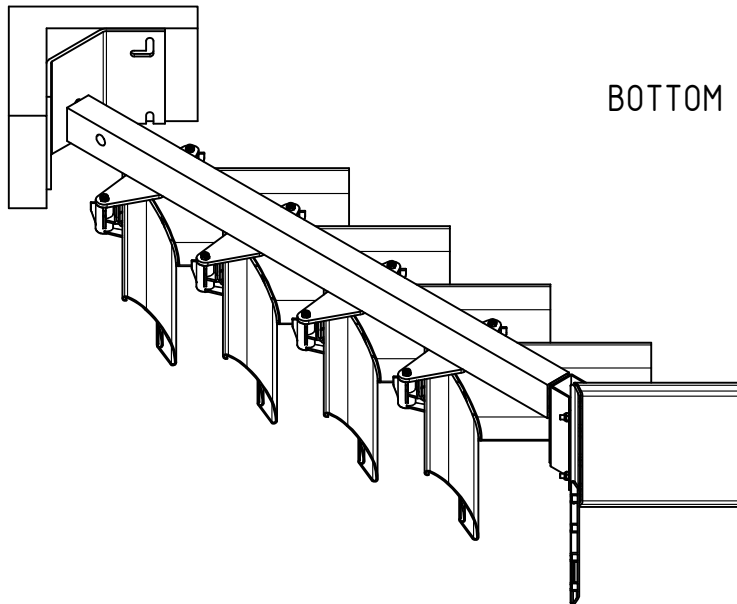


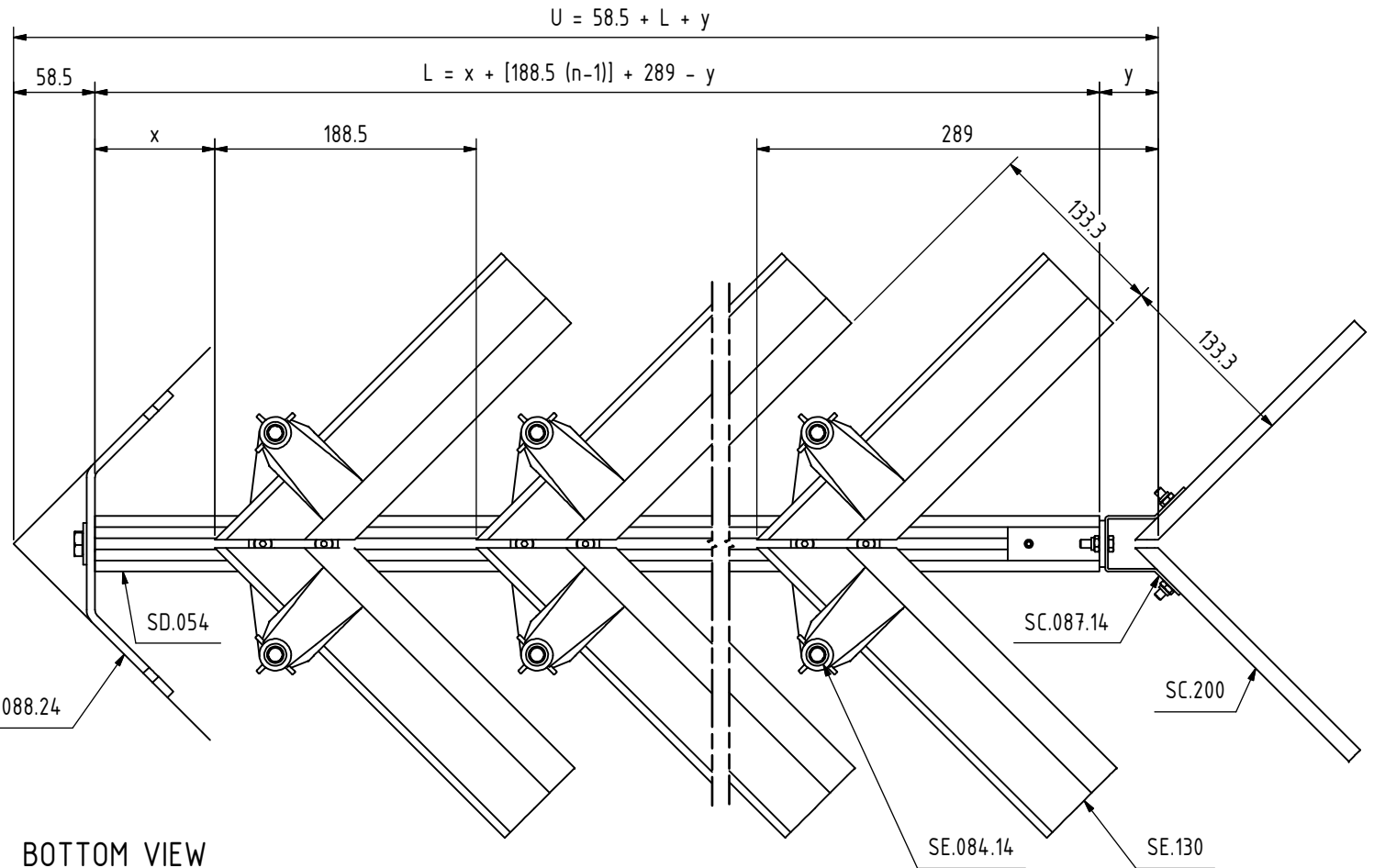
DETAIL BRACKET  
SD.088.24



SD.088.24



BOTTOM VIEW



KEY REFERENCE

- U: Projection [mm]
- L: Length of mullion [mm]
- n: Number of blades
- x:  $\geq 86$  mm
- y:  $42 \text{ mm} \leq y \leq 72 \text{ mm}$

Maximal dimensions to be discussed with R&D Dept. of NV Renson Projects.



NV RENSON Projects Tel.: +32 (0)56 62 71 07  
 Maalbeekstraat 6 Fax: +32 (0)56 62 71 47  
 8790 Waregem www.renson.eu  
 Belgium

HORIZONTAL FIXED

TYPE: SUNCLIPS

SUBTYPE: POSITIONED BELOW

DESCRIPTION: SE.130+SD.088.24+SD.054+SC.200

PRODUCT SHEET	SHEET N°	ISSUE	Scale: 1/5
	HV-S-1.0313	V.02	Orig. format: A4

All rights reserved to NV RENSON PROJECTS. This drawing shall not be copied nor showed to third parties without written permission of NV RENSON PROJECTS.

R:\CAD\91\_Product\Fiches\WVA\HV\S\_HV\_S\_1\_0313-EN.dwg