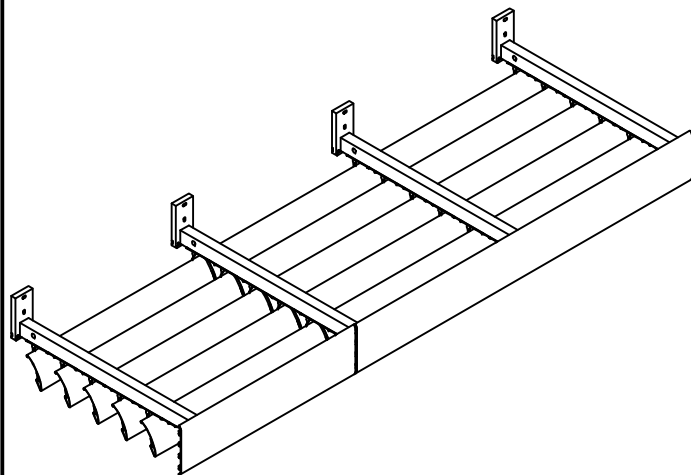


BOTTOM VIEW



| | | | |
|-----------|--|-----------|--|
| SE.084.10 | | SE.084.16 | |
| SE.084.11 | | SE.084.17 | |
| SE.084.12 | | SE.084.18 | |
| SE.084.15 | | | |
| SC.087.11 | | SC.087.12 | |

Maximal dimensions to be discussed with R&D Dept. of NV Renson Projects.



NV RENSON Projects
 Maalbeekstraat 6
 8790 Waregem
 Belgium

Tel.: +32 (0)56 62 71 07
 Fax: +32 (0)56 62 71 47
 www.renson.eu

HORIZONTAL FIXED

TYPE: SUNCLIPS

SUBTYPE: POSITIONED BELOW

DESCRIPTION: SET SCREWS SE.130 + SC.200 (1)

PRODUCT SHEET

| | | |
|-------------|-------|---------------------|
| SHEET N° | ISSUE | Scale: 1/10 |
| HV-S-1.0334 | V.01 | Orig. format: A4 |