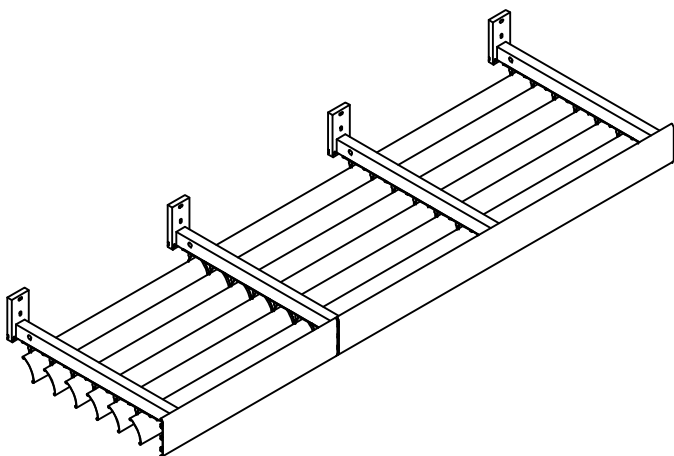


BOTTOM VIEW



SE.084.10		SE.084.16	
SE.084.11		SE.084.17	
SE.084.12		SE.084.18	
SE.084.15			
SC.087.11		SC.087.12	

Maximal dimensions to be discussed with R&D Dept. of NV Renson Projects.



NV RENSON Projects  
 Maalbeekstraat 6  
 8790 Waregem  
 Belgium  
 Tel.: +32 (0)56 62 71 07  
 Fax: +32 (0)56 62 71 47  
 www.renson.eu

HORIZONTAL FIXED

TYPE: SUNCLIPS

SUBTYPE: POSITIONED BELOW

DESCRIPTION: SET SCREWS SE.096 + SC.155 (1)

PRODUCT SHEET	SHEET N°	ISSUE	Scale: 1/10
	HV-S-1.0252	V.01	Orig. format: A4

All rights reserved to NV RENSON PROJECTS. This drawing shall not be copied nor showed to third parties without written permission of NV RENSON PROJECTS.

R:\CAD\91\_Product\Fiches\HV\HVHV\_S\_1\_0252\_EN.rvt