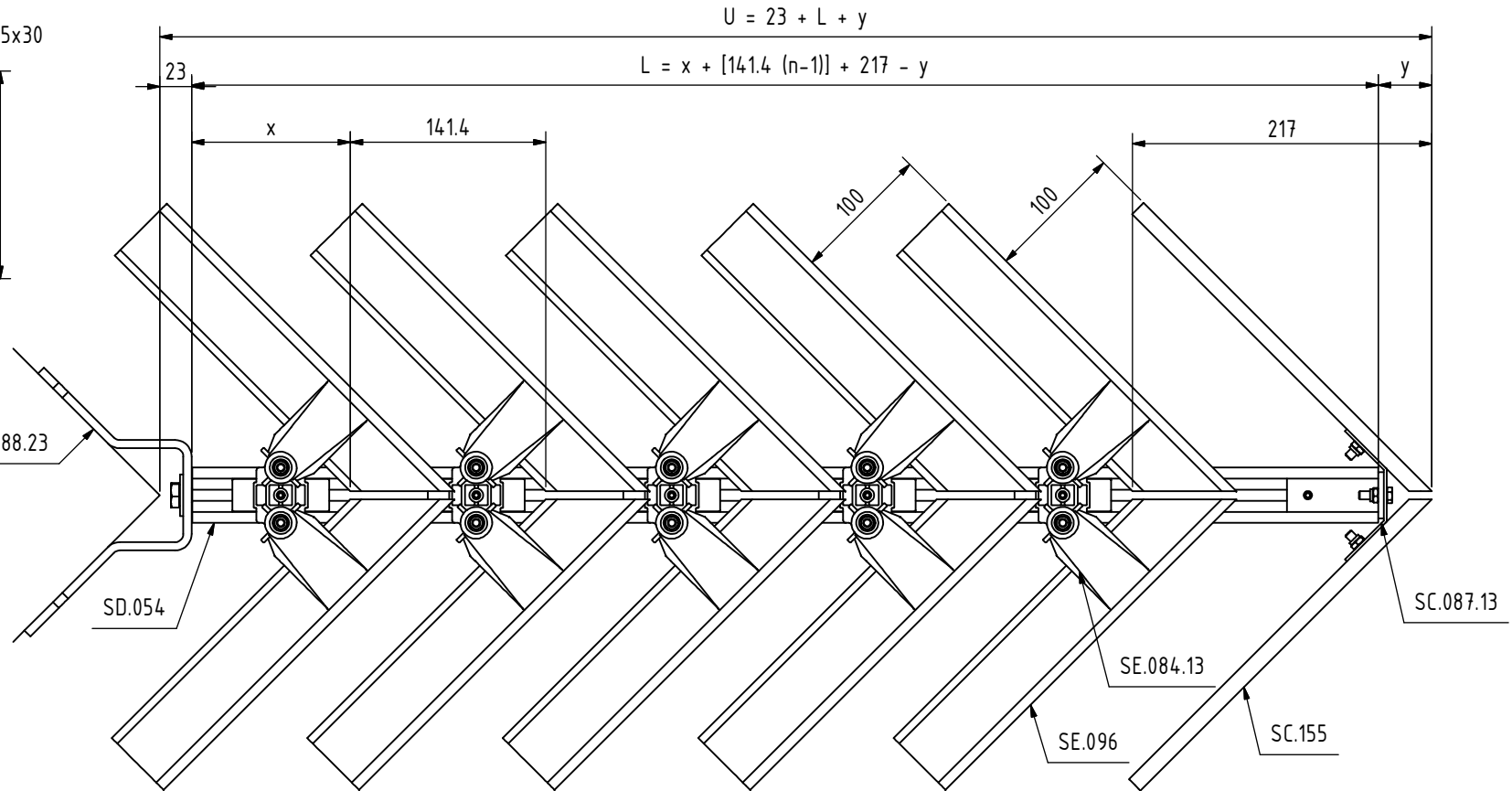
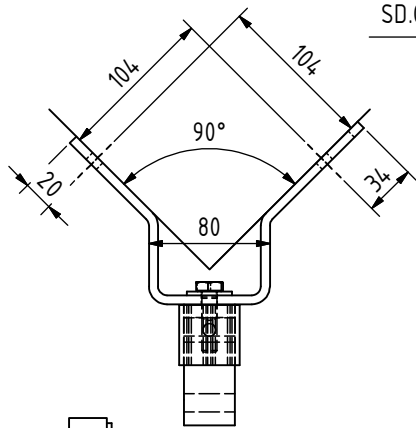
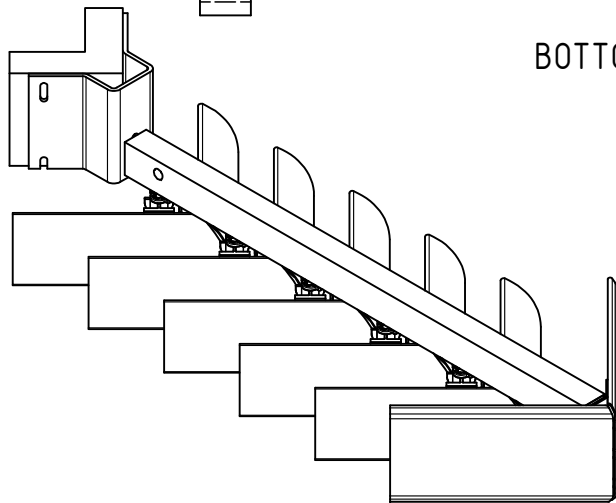


DETAIL BRACKET
SD.088.23



BOTTOM VIEW



KEY REFERENCE

- U: Projection [mm]
- L: Length of mullion [mm]
- n: Number of blades
- x: ≥ 115 mm
- y: $39 \text{ mm} \leq y \leq 69 \text{ mm}$

Maximal dimensions to be discussed with R&D Dept. of NV Renson Projects.



NV RENSON Projects Tel.: +32 (0)56 62 71 07
 Maalbeekstraat 6 Fax: +32 (0)56 62 71 47
 8790 Waregem Belgium www.renson.eu

HORIZONTAL FIXED

TYPE: SUNCLIPS

SUBTYPE: POSITIONED BELOW

DESCRIPTION: SE.096+SD.088.23+SD.054+SC.155

PRODUCT SHEET	SHEET N°	ISSUE	Scale: 1/5
	HV-S-1.0217	V.02	Orig. format: A4

All rights reserved to NV RENSON PROJECTS. This drawing shall not be copied nor showed to third parties without written permission of NV RENSON PROJECTS.

R:\CAD\91_ProductFiches\WVA\HV\S_HV_S_1_0217-EN.dwg