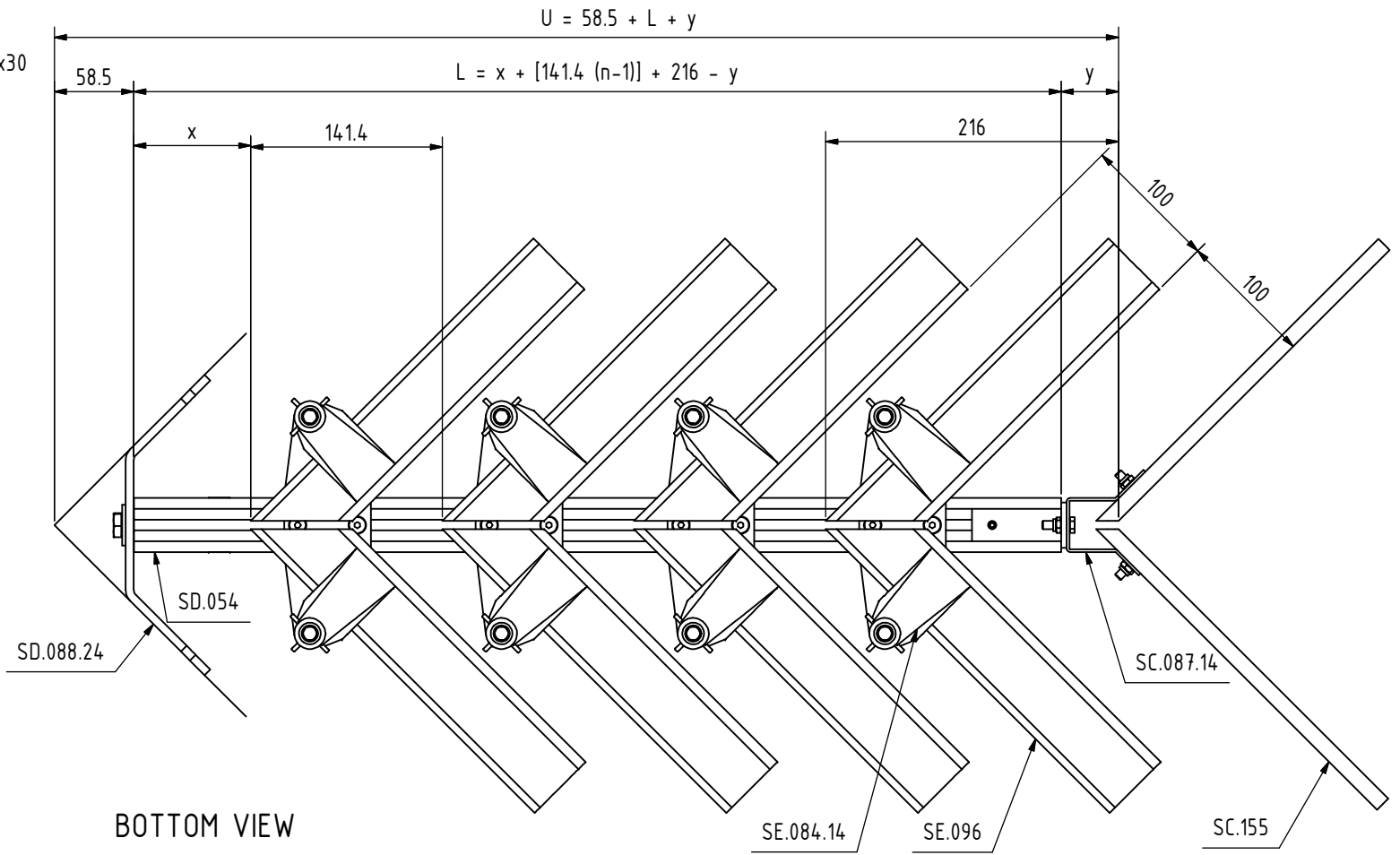
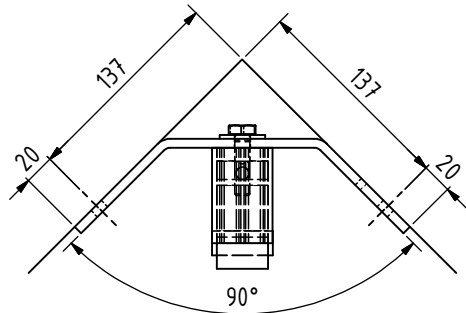
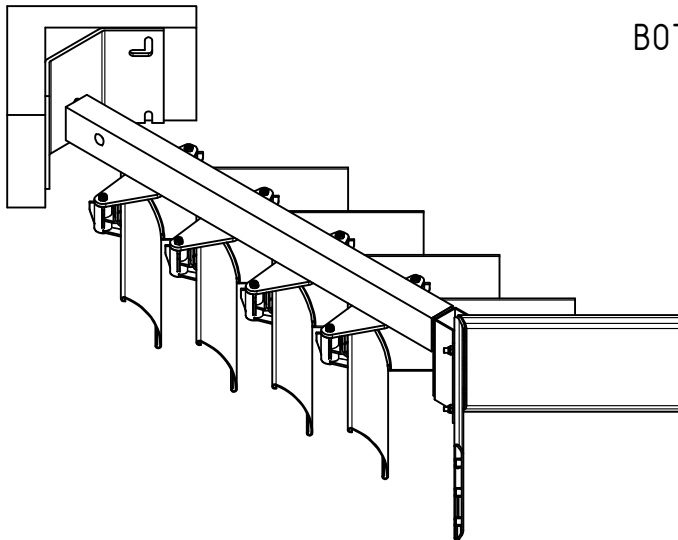


DETAIL BRACKET  
SD.088.24



BOTTOM VIEW



KEY REFERENCE	
U:	Projection [mm]
L:	Length of mullion [mm]
n:	Number of blades
x:	≥ 86 mm
y:	42 mm ≤ y ≤ 72 mm

Maximal dimensions to be discussed with R&D Dept. of NV Renson Projects.



NV Renson Projects  
Maalbeekstraat 6  
8790 Waregem  
Belgium  
Tel.: +32 (0)56 62 71 07  
Fax: +32 (0)56 62 71 47  
www.renson.eu

HORIZONTAL FIXED		
TYPE: SUNCLIPS	SUBTYPE: POSITIONED BELOW	
DESCRIPTION: SE.096+SD.088.24+SD.054+SC.155		

PRODUCT SHEET	SHEET N°	ISSUE	Scale: 1/5
	HV-S-1.0218	V.02	Orig. format: A4

All rights reserved to NV RENSON PROJECTS. This drawing shall not be copied nor showed to third parties without written permission of NV RENSON PROJECTS.

R:\CAD\91\_Product\Fiches\WVA\HV\S\_VHV\_S\_1\_0218-EN.dwg