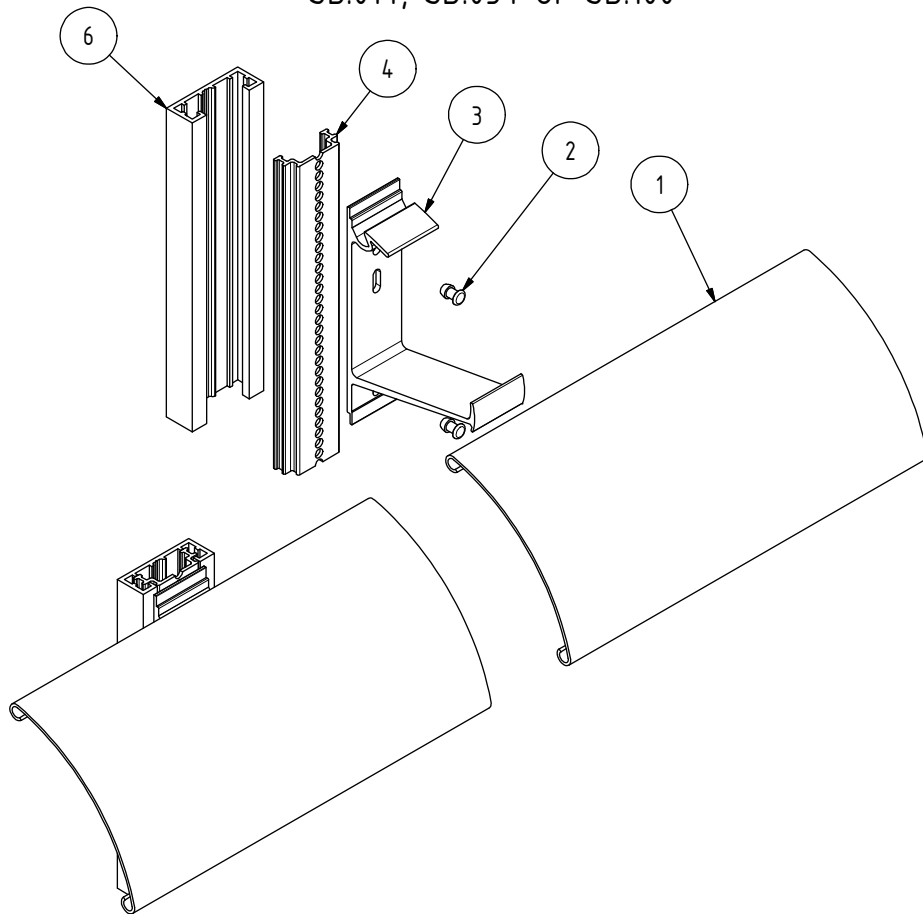
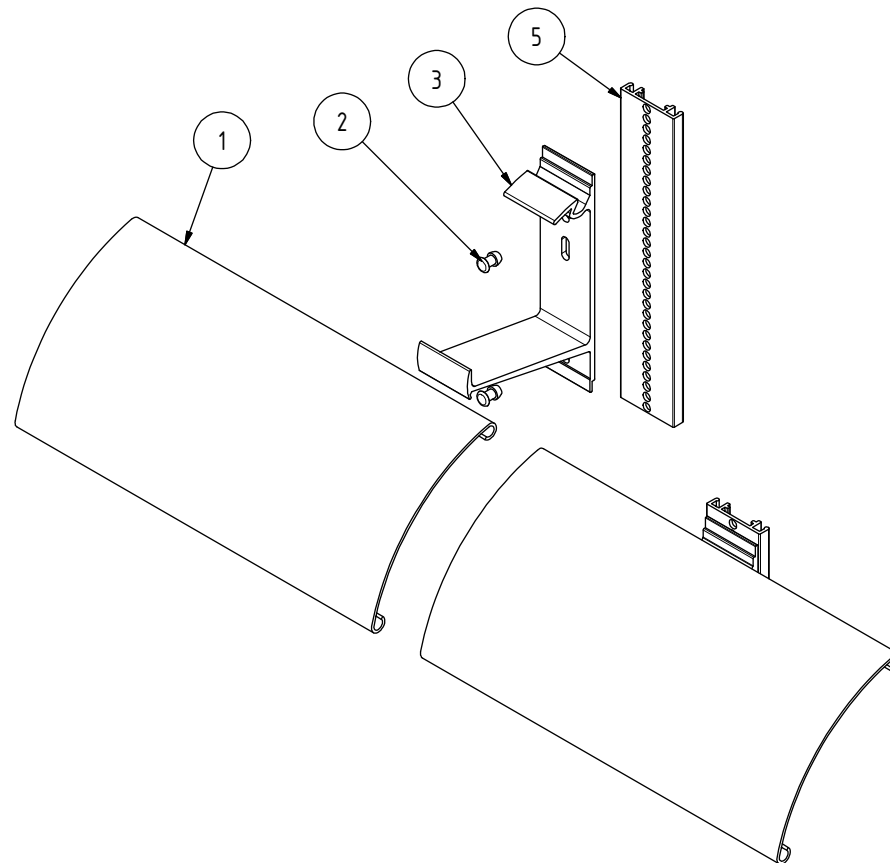


MOUNTING ON
SD.014, SD.054 OF SD.100



MOUNTING ON
LD.0065, LD.0195, LD.0440, LD.0460, LD.0995, LD.1250



1	SE.096.01
2	BLINDKLINKNAGEL
3	SE.082.11
4	LD.0108
5	LD.0065
6	SD.014

Maximal dimensions to be discussed with R&D Dept. of NV Renson Projects.

RENSON
Creating healthy spaces

NV RENSON Projects
Maalbeekstraat 6
8790 Waregem
Belgium

Tel.: +32 (0)56 62 71 07
Fax: +32 (0)56 62 71 47
www.renson.eu

VERTICAL FIXED

TYPE: SUNCLIPS

SUBTYPE: C.L.S.

DESCRIPTION: FIXING DETAILS SE.096.01

PRODUCT SHEET

SHEET N°

VV-S-1.0200

ISSUE

V.02

Scale:
1/3

Orig. format:
A4